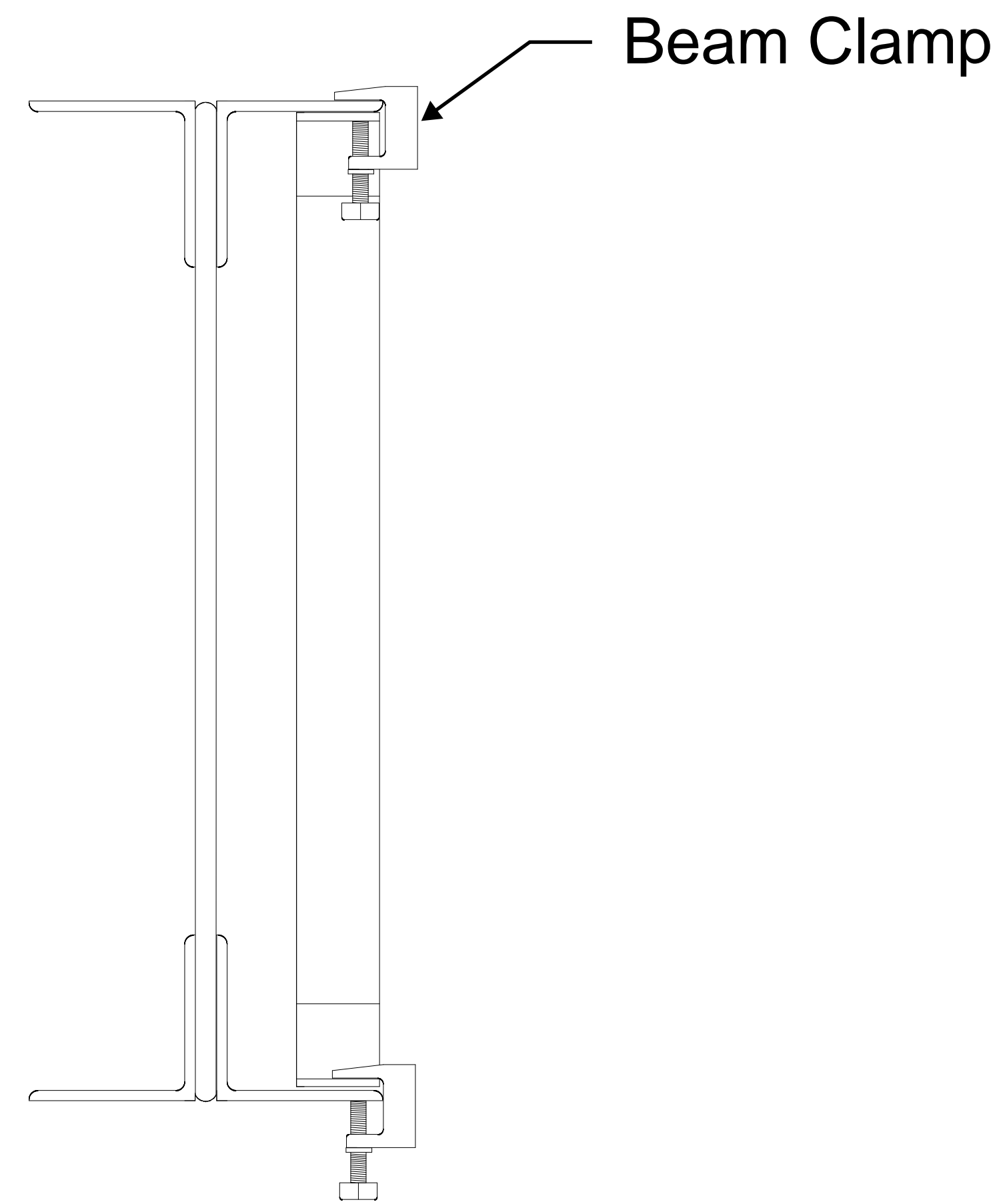
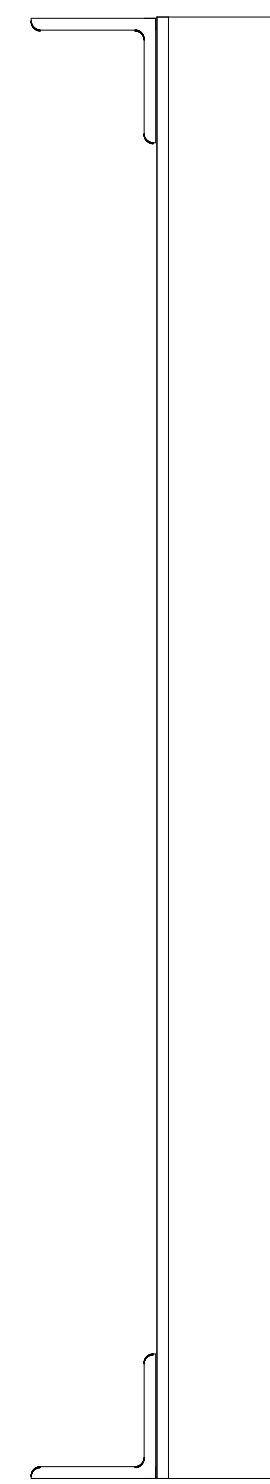
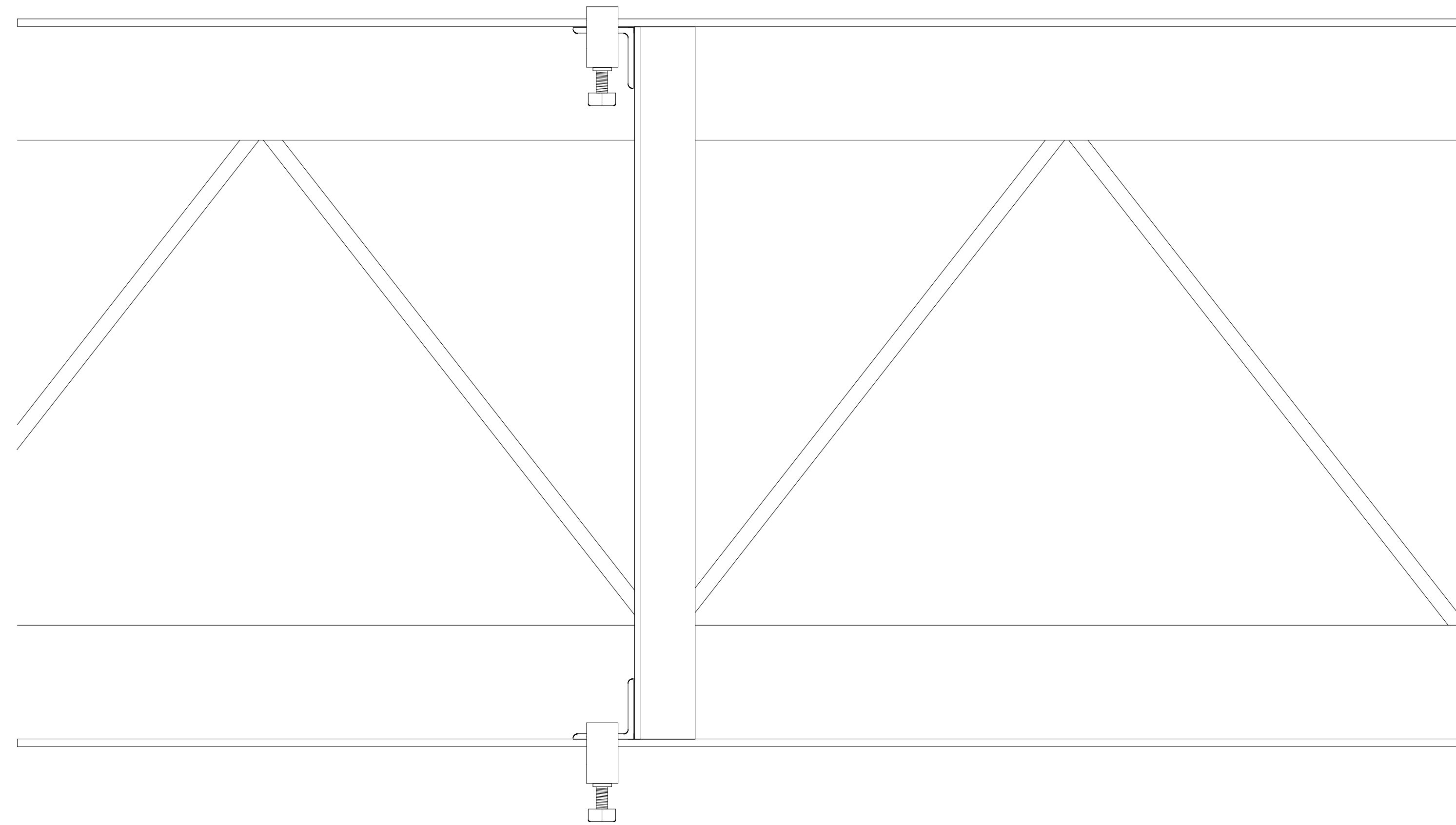


# QuickFrames Bolt-on Panel Point Reinforcement

This alternate should be approved by the EOR



If Buyer requires roof frames or other any other parts manufactured by QuickFrames to meet specific standards to meet such regulations, it is Buyers responsibility to inform QuickFrames and provide appropriate specifications. QuickFrames is not responsible for any requirements not specifically requested by Buyer or based on missing or incorrect information from Buyer. Building roof structure framing capacity (existing or new) should be checked by a registered structural engineer to ensure the proposed load on the frame does not overstress any roof supporting members and/or building components. QuickFrames USA LLC. accepts no liability for damage to property or person caused by faulty installation or failure to have structural engineering approval by a licensed, registered structural engineer. Site specific engineering that falls outside the standard engineering provided by QuickFrames is available through QuickFrames USA LLC. for a nominal fee.

**Contact QuickFrames USA For Details**

(480) 464-1500 or [sales@quickframes.us](mailto:sales@quickframes.us)

APPROVED	REV	DATE	DESCRIPTION
	0		FOR APPROVAL
<b>QUICKFRAMES™</b> <b>USA LLC.</b> 710 W. Broadway Suite 503 Mesa, AZ 85210			
<b>QuickFrames Panel Point Reinforcement</b>			
SCALE: N.T.S.	DRAWN BY: Chase S.	DRAWING NUMBER	REV.
DATE:	CHECKED BY:		0